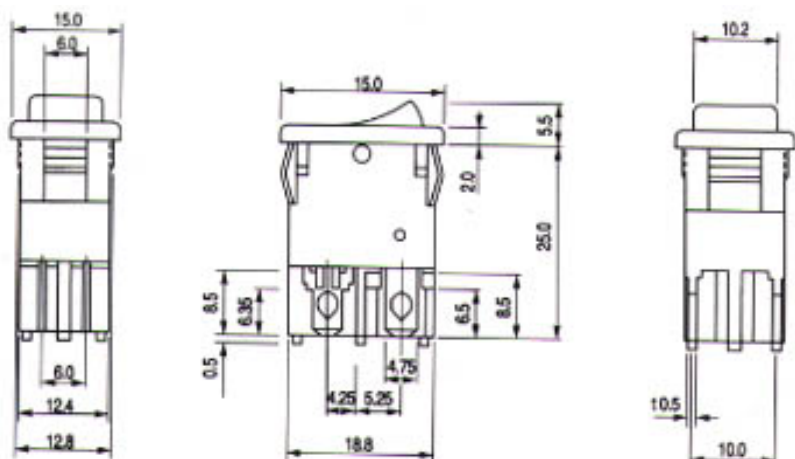
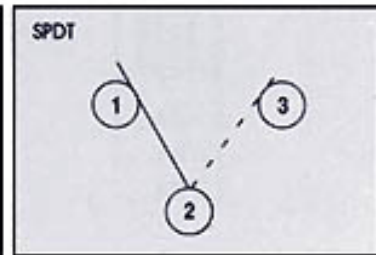
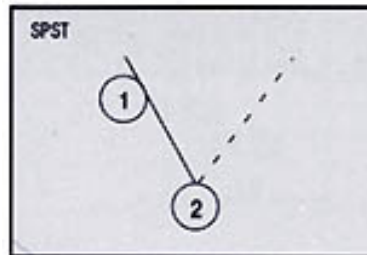
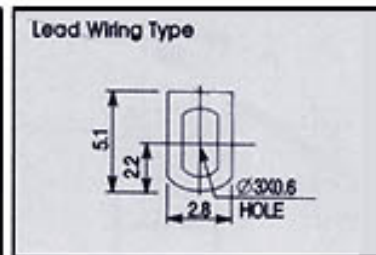
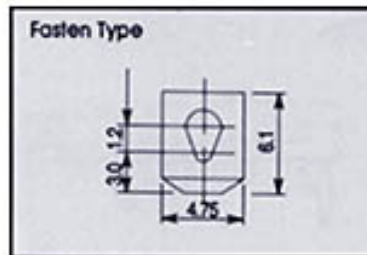
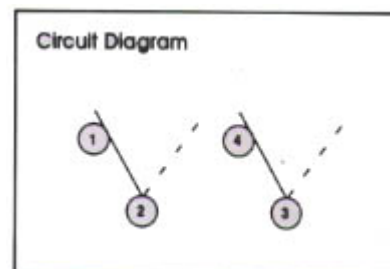


1. Rating :AC 125V 10A, AC 250V 5A/80A
2. Contact Resistance :100mΩ Max
3. Dielectric Strength:AC 2000V for 1 Minute(TM-TM-L)
4. Life Expectancy :
 - 3-1 Electrical/10,000Cycle(R-L-Load)
 - 3-2 Mechanical/25,000Cycle
5. Operating Force:400±200gf



1. Rating :AC 125V 10A, AC 250V 5A/80A
2. Contact Resistance :100mΩ Max
3. Dielectric Strength:AC 2000V for 1 Minute(TM-L-TM-L)
4. Life Expectancy :(6~10 Cycle/Minute)
 - 4-1 Electrical/10,000Cycle
 - 4-2 Mechanical/25,000Cycle
5. Operating Force:800±300gf
6. Safety Standard Approval:UL, CSA, VDE NEMKO SEMKO, DEMKO FEMKO



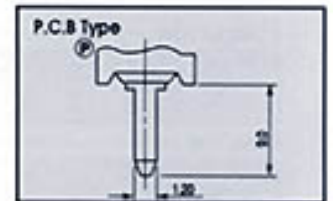
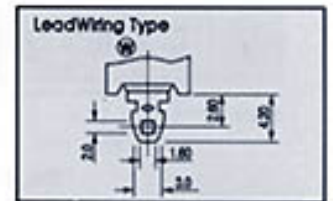
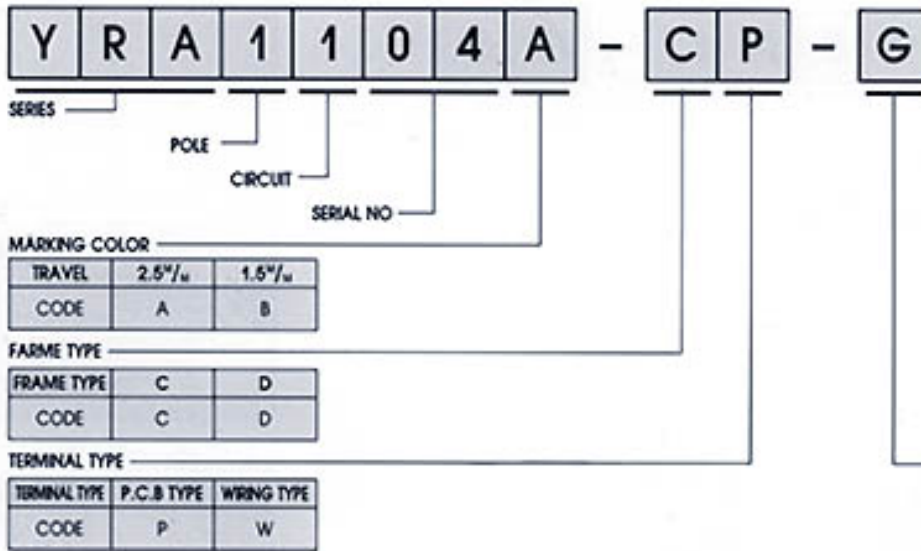


CHUNGSONG

POWER SWITCHES

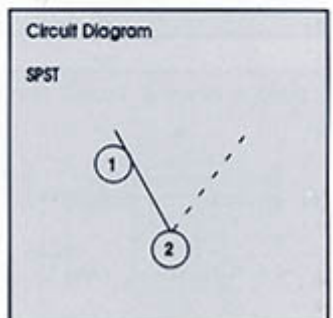
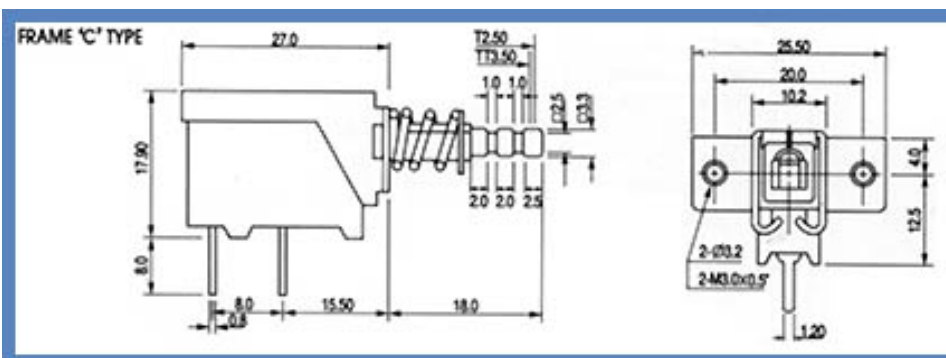
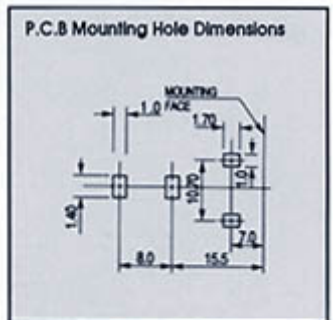
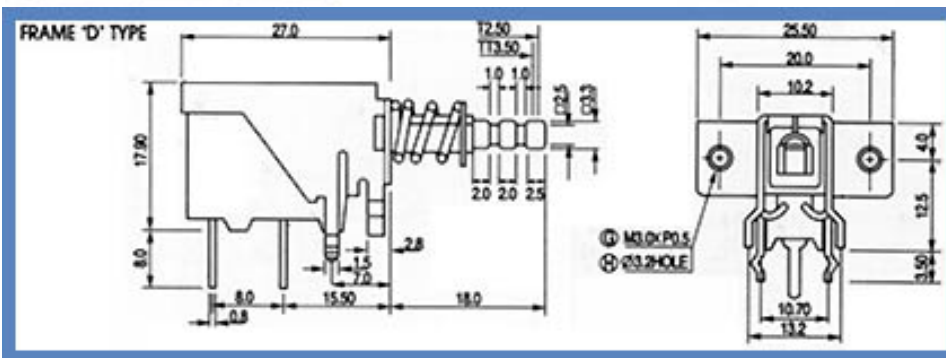


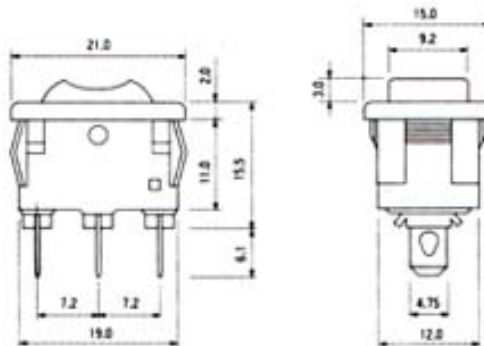
1. Rating : AC 250V 5A/80A, TV-5
2. Contact Resistance : 100m Max, at DC 5V 1A
3. Dielectric Strength: AC 1000V for 1 Minute (TM-TM-L)
4. Operating Force: 350±150gf
5. Circuit : SPST



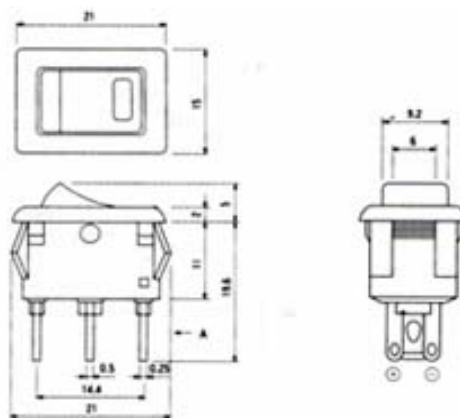
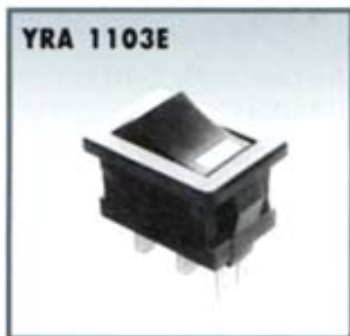
MOUNTING TYPE

MOUNTING TYPE	M3.0X P0.5	Ø3.2
CODE	G	H





1. Rating: AC 125V 10A, AC 250V 8A/80A
 2. Contact Resistance: 100mΩMax.
 3. Dielectric Strength: AC 2000V for 1 Minute(TM'L-TM-L)
 4. Life Expectancy: 3-1 Electrical: 10,000 Cycle, 3-2 Mechanical: 25,000 Cycle
 5. Operating Force: 800±300gf
- Safety Standard Approval: UL, CSA, VDE NEMKO SEMKO, DEMKO FEMKO.

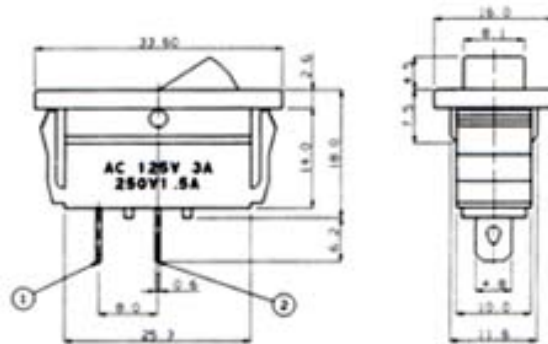


1. Rating: AC 125V 10A, AC 250V 5A/80A
 2. Contact Resistance: 100mΩMax.
 3. Dielectric Strength: AC 2000V for 1 Minute(TM'L-TM'L)
 4. Life Expectancy: 4-1 Electrical: 10,000 Cycle(R-L Load), 4-2 Mechanical: 25,000 Cycle
 5. Operating Force: 400±200gf
- Safety Standard Approval: UL, CSA, VDE, NEMKO, SEMKO, DEMKO FEMKO.



1. Contact Resistance: 100mΩMax.
 2. Dielectric Strength: AC 2000V for 1 Minute(TM'L-TM'L)
 3. Life Expectancy: 3-1 Electrical: 10,000 Cycle(R-L Load), 3-2 Mechanical: 25,000 Cycle
 4. Operating Force: 400±200gf
- Safety Standard Approval: UL, CSA, VDE, NEMKO, SEMKO, DEMKO FEMKO.

MODEL NO.	CIRCUIT	BUTTON POSITION	TERMINAL STYLE	RATING
YRA 1103	SPST	ON-OFF	ANGLE TYPE	10A 125V AC
YRA 1203	SPST	ON-OFF		5A 250V AC
YRA 2103	SPDT	ON-ON		



1. Rating: AC 125V 10A, AC 250V 5A/80A
2. Contact Resistance: 100mΩMax.
3. Dielectric Strength: AC 2000V for 1 Minute(TM-TM-L)
4. Life Expectancy: 3-1 Electrical: 10,000 Cycle(R-L Load), 3-2 Mechanical: 25,000 Cycle
5. Operating Force: 400±200gf
6. Safety Standard Approval:
UL, CSA, VDE, NEMKO, SEMKO, DEMKO FEMKO.



1. Rating: AC 125V 7A, AC 250V 4A/80A
2. Contact Resistance: 100mΩMax. AT 5V DC 1A
3. Dielectric Strength: AC 1000V for 1 Minute(TM-L-TM-L)
4. Life Expectancy: (6~10 Cycle/Minute)
- 4-1. Electrical: 6,000 Cycle(R-L Load)
5. Operating Force: 550±150gf
6. Operation Mode: Self Lock Non Lock
7. Travel: Full: 5.5, Lock: 4.0 Full: 3.5, Lock: 2.5
8. Circuit: DPDT, DPST
- Safety Standard Approval:
UL, CSA, VDE, NEMKO, SEMKO, DEMKO, FEMKO.